

Features and Benefits

Synergy is an industrially designed family of wall plates providing a sleek, curved, and low profile appearance. The plates have slim, rounded contours that offer an aesthetically pleasing style that fits even the most contemporary of high technology office atmospheres. The Synergy family blends optimum functionality with its unique design by offering convenient features such as tamper-proof rear-loading of modules, hinged screw caps to prevent their misplacement, and clear, concise labeling options.

- Low profile for inconspicuous network connecting
- Clear concise labeling
- Rear loading to reduce tampering
- Hinged screw caps prevent misplacement
- Accommodates DataGate 5e jacks - available in eleven colors
- 5 wall plate colors available

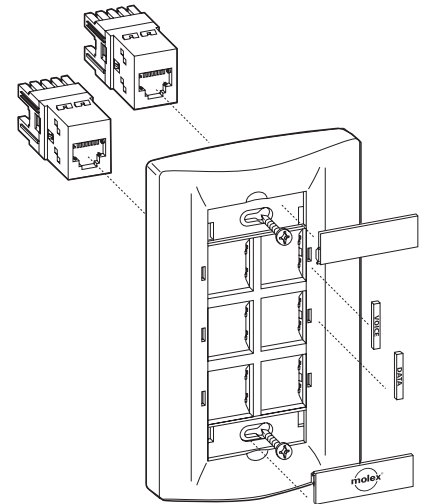
Parts list

- Wall Plate
- (Molex) Screw Cap Cover
- Clear Label Holder
- 1 Label Sheet (write-on)
- (2) Mounting Screws
- 1 Synergy™ Icon Tree (telcom)
- Assembly Instructions

Technical Information

Mechanical Characteristics

Dimensions
 Single Gang: 120mm x 70mm x 11mm
 Double Gang: 117.5mm x 120.7mm x 11mm
 Shipping Weight: Plates (Box of 50) 1.4 kg
 Material: Cycloy C2800
 Approvals: UL 1863



ORDERING INFORMATION

Order No.	Description
WSY-00001-0*	6 Port Synergy Wallplate - Unloaded
WSY-00002-0*	4 Port Synergy Wallplate - Unloaded
WSY-00003-0*	3 Port Synergy Wallplate - Unloaded
WSY-00005-0*	4 Port Angled Synergy Wallplate - Unloaded
WSY-00006-0*	2 Port Angled Synergy Wallplate - Unloaded
WSY-00015-0*	12 Port Double Gang Synergy Wallplate - Unloaded
WSY-00016-0*	10 Port Double Gang Synergy Wallplate - Unloaded
WSY-00017-0*	8 Port Double Gang Synergy Wallplate - Unloaded
KSJ-00005-0*	Single Blank Module (Bag of 25)

*Colour options - 1 = Almond, 2 = White, 5 = Ivory, 4 = Black, 8 = Light Grey

MOLEX PREMISE NETWORKS

Americas
 Tel: 630 969 4550
 www.molexpn.com

EMEA
 Tel: 44 (0) 2392 205800
 www.molexpn.co.uk

APAC
 Tel: 61 3 9971 7111
 www.molexpn.com.au